

# SERVICE MANUAL

AUTOMATIC DIRECT DRIVE TURNTABLE

## SANSUI DA-P550

(Silver & Black Model)

## CLASSIQUE DA-P555



### •SPECIFICATIONS

Type..... Two-speed direct-driven  
 Speeds ..... 33-1/3, 45 rpm  
 Platter..... Aluminum alloy die-cast  
 304 mm (12") diameter  
 Motor ..... FG Servo DC Motor  
 Wow/flutter ..... 0.038% (WRMS)  
 S/N ..... Better than 60 dB (IEC-B)  
 Applicable cartridge weight  
 ..... 4 to 9g

#### Cartridge: Model SC-80

Output voltage..... 2.5 mV per channel  
 (1,000 Hz, 50 mm/sec)  
 Load impedance..... 47 k $\Omega$   
 Tracking force..... 2.5g  
 Dimensions ..... 430 mm (16-29/32") W  
 120 mm (4-23/32") H  
 360 mm (14-3/16") D  
 Weight ..... 3.8 kg (8.4 lbs) net  
 4.6 kg (10.1 lbs) packed  
 Power consumption..... 2.5W (DC 15V)

\* Design and specifications subject to changes without notice for improvements.

*Sansui*

SANSUI ELECTRIC CO., LTD.

## CAUTION

1. Some printed circuit boards are not supplied as the assembled. To separate these in this service manual, the stock No's are not indicated at the ends of the board names. However, the individual parts on the circuit boards are provided by orders.
2. Since some of capacitors and resistors are omitted from parts lists in this service manual, refer to the Common Parts List for capacitors & resistors, which was issued on February 1983.
3. Abbreviations in this service manual are as follows.

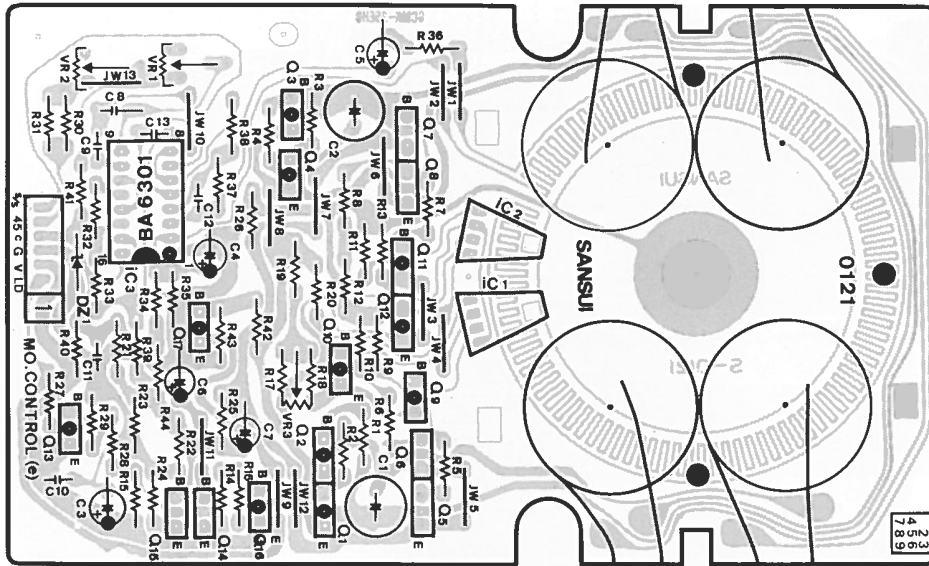
### •Abbreviations List

C.R.	: Carbon Resistor	E.B.	: Bi-Polar Electrolytic Capacitor
S.R.	: Solid Resistor	E.B.L.	: Low Leak Bi-Polar Electrolytic Capacitor
Ce.R.	: Cement Resistor	Ta.C.	: Tantalum Capacitor
M.R.	: Metal Film Resistor	F.C.	: Film Capacitor
F.R.	: Fusing Resistor	M.P.	: Metalized Paper Capacitor
N.I.R.	: Non-Inflammable Resistor	P.C.	: Polystyrene Capacitor
A.R.	: Array Resistor	G.C.	: Gimmic Capacitor
C.C.	: Ceramic Capacitor	A.C.	: Array Capacitor
C.T.	: Ceramic Capacitor, Temperature Compensation	V.R.	: Variable Resistor
E.C.	: Electrolytic Capacitor	S.V.R.	: Semi Variable Resistor
E.L.	: Low Leak Electrolytic Capacitor	SW.	: Switch

# 1. PARTS LOCATION & PARTS LIST

## 1-1. S-0121 Motor Control Circuit Board

Component Side

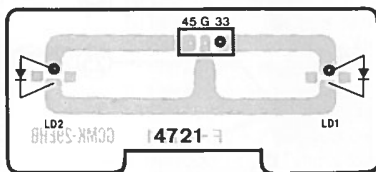


### Parts List

Parts No.	Stock No.	Description	Parts No.	Stock No.	Description	Parts No.	Stock No.	Description
• Transistor								
eQ1	46359701	2SA952	eQ10	46367001	2SA1115	eQ17	48058601	2SA933S
	or 46543401	2SA1283		or 46367201	2SA1048	• IC		
	or 48000801	2SA934		or 46367401	2SA733A	eIC1	46354301	HW-301C-Q
eQ2	46359701	2SA952	eQ11	46367001	2SA1115		or 46354302	HW-301C-R
	or 46543401	2SA1283		or 46367201	2SA1048	eIC2	46354301	HW-301C-Q
	or 48000801	2SA934		or 46367401	2SA733A		or 46354302	HW-301C-R
eQ3	46359701	2SA952	eQ12	46367001	2SA1115	eIC3	46354400	BA6301
	or 46543401	2SA1283		or 46367201	2SA1048	• Zener Diode		
	or 48000801	2SA934	eQ13	46367001	2SA1115	eDZ1	46113800	05Z12-X
eQ4	46359701	2SA952		or 46367201	2SA1048		or 46113900	05Z12-Y
	or 46543401	2SA1283		or 48058601	2SA933S		or 46114000	05Z12-Z
	or 48000801	2SA934	eQ14	46367101	2SC2603	eR41	46639000	240kΩ 1/4W M.R.
eQ5	46359801	2SC2001		or 46367301	2SC2458	eC1	08451100	22μF 16V E.B.
	or 46614101	2SC3243		or 46367501	2SC945A	eC2	08451100	22μF 16V E.B.
	or 48000901	2SC2060	eQ15	46367101	2SC2603	eVR1	46366600	100kΩ(B) S.V.R., speed adj.
eQ6	46359801	2SC2001		or 46367301	2SC2458			
	or 46614101	2SC3243		or 46367501	2SC945A	eVR2	07241700	200kΩ(B) S.V.R., speed adj. 45 rpm
	or 48000901	2SC2060		or 48058801	2SC1740S	eVR3	07241000	1kΩ(B) S.V.R., wow & flutter adj.
eQ7	46359801	2SC2001		46367101	2SC2603			
	or 46614101	2SC3243	eQ16	46614001	2SA1283			
	or 48000901	2SC2060		or 48000801	2SA934			
eQ8	46359801	2SC2001		46367001	2SA1115			
	or 46614101	2SC3243		or 46367201	2SA1048			
	or 48000901	2SC2060	eQ17	46367001	2SA1115			
eQ9	46367001	2SA1115		or 46367201	2SA1048			
	or 46367201	2SA1048		or 46367401	2SA733A			
	or 46367401	2SA733A						
	or 48058601	2SA933S						

## 1-2. F-4721 SPEED Indicator Circuit Board

Component Side

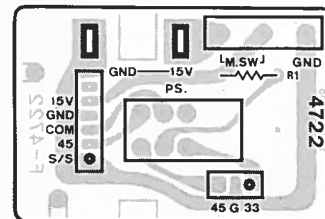


### Parts List

Parts No.	Stock No.	Description
• LED		
gLD1	46162500	SLR-54URC5
gLD2	46162500	SLR-54URC5

## 1-3. F-4722 SPEED SW. Circuit Board

Component Side



### Parts List

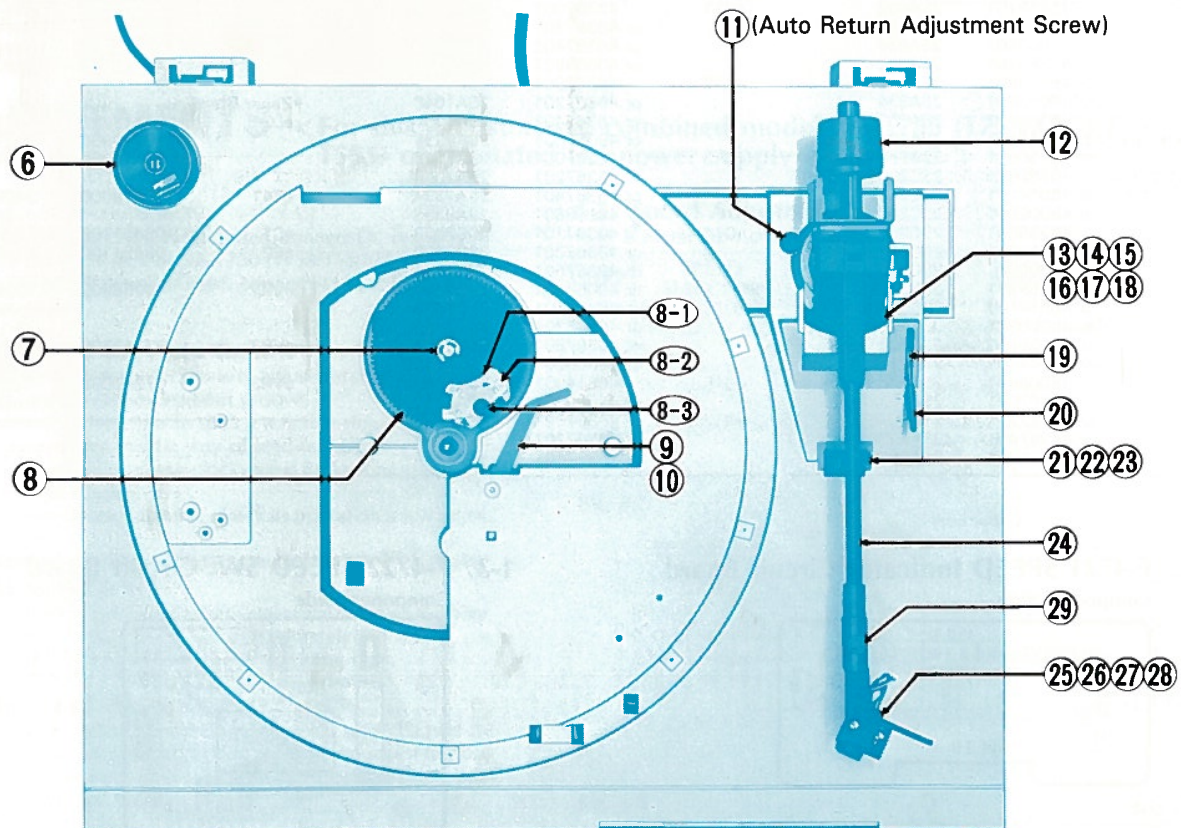
Parts No.	Stock No.	Description
gSW1	46368500	Push SW., SPEED

## 2. OTHER PARTS

### 2-1. Front View

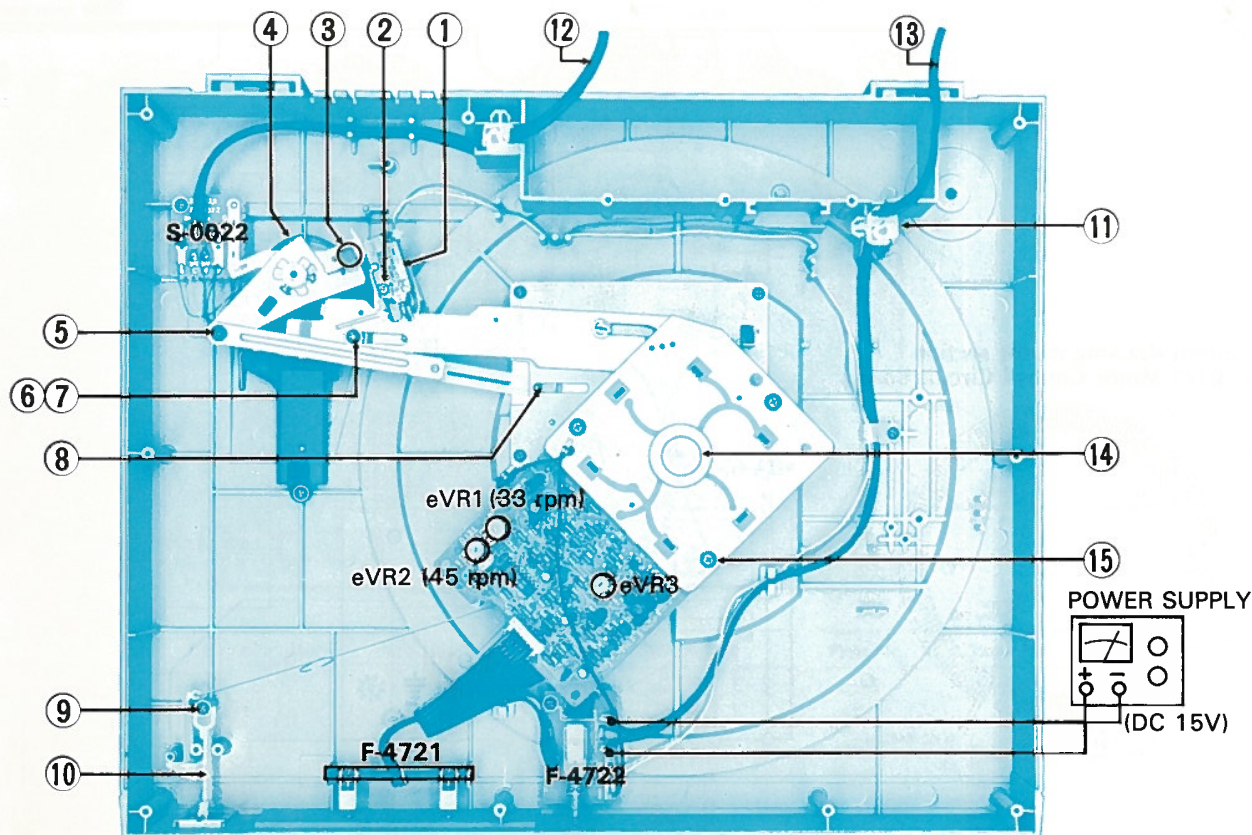


### 2-2. Top View





2-3. Bottom View



Parts List < Front View/Top View >

Parts No.	Stock No.	Description
1	47702500	Push Knob, CUT <DA-P550 Silver Model>
	13142200	Push Knob, CUT <DA-P550 Black Model•DA-P555>
2	47393200	Push Knob, SPEED <DA-P550 Silver Model>
	47716800	Push Knob, SPEED <DA-P550 Black Model•DA-P555>
3	46368500	Push SW., SPEED
4	13147210	Turntable Platter
5	13140800	Turntable Sheet
6	13012300	45 r.p.m Adaptor
7	00489400	E Ring 5φ mm main gear
8	13017200	Main Gear
8-1		Lower Trip
8-2		Upper Trip
8-3	51822900	CS Type Washer 3φ
9	13136400	Reject Arm
10	13143400	Tension Spring, reject arm
11	50624800	Cap for auto return adjustment
12	13176700	Main Weight Ass'y
13	13138200	Lifter Plate
14	13035600	Spring, 5.3φ × 10 mm (C)
15	13035700	Spring, 9.3φ × 14 mm (E)
16	00466500	P Type Washer 3φ × 10
17	13011600	Elevation Chip
18	13038010	Binding Head Tapping Screw M3 × 16
19	13138300	Lifter Lever Ass'y
20	13013500	Lifter Knob
21	13138700	Arm Rest
22	13138500	Hook, arm rest

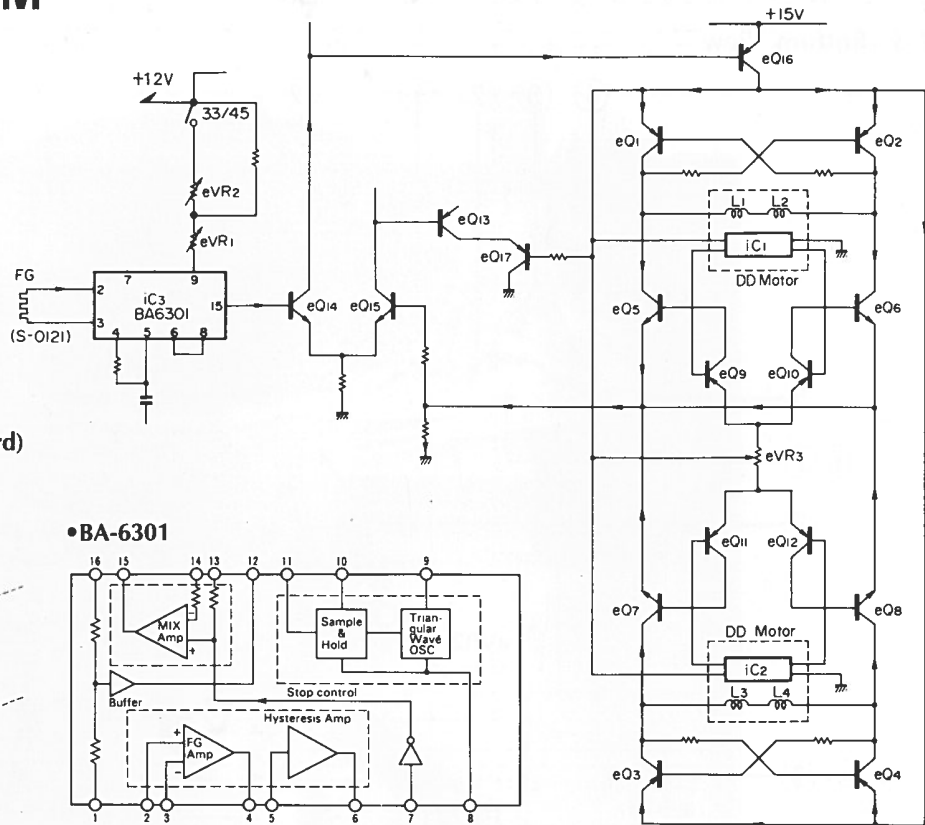
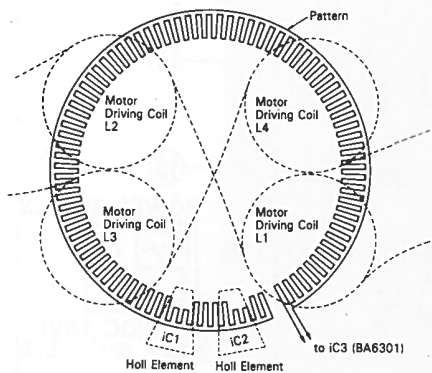
Parts No.	Stock No.	Description
23	13167700	Binding Head Tapping Screw, M2 × 5
24	13731100	Tone Arm Ass'y
25	13176600	Head Sheel Ass'y
26	13198200	Cartridge, SC-80
27	13198100	Stylus, SN-80
28	51921500	Screw Ass'y
29	13135100	Screw, Head Sheel Ass'y

Parts List < Bottom View >

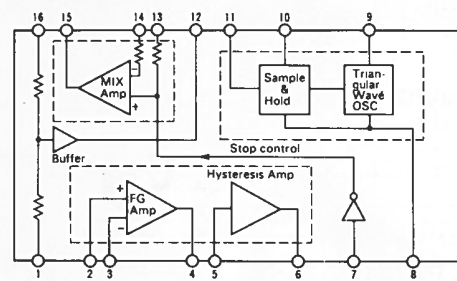
Parts No.	Stock No.	Description
1	11602500	Micro Switch
2	13143710	Screw, micro switch
3	13038010	Pan Head Tapping Screw M3 × 16 (Adjusting Screw)
4	69034400	Spring, PU Plate
5	13143000	Push Pin
6	13038210	Screw, Slide arm
7	00467100	P Type Washer 5φ × 10 × 1.0
8	13051900	Steel Ball 5φ
9	13136700	Reject Lever (3)
10	13038300	Reject Lever (1)
11	07254700	Strain Relief
12	13234400	PU Output Cord
13	13234300	DC Power Cord
14	18028700	SSD703A DD Motor Ass'y with control circuit board (S-0121)
15	08320700	Brazier Head Tapping Screw M4 × 12
	13153500	Insulator

### 3. BLOCK DIAGRAM

• Pattern drawing motor section (S-0121 Motor Control Circuit Board)



• BA-6301



### 4. ADJUSTMENTS

< For this Adjustments, combined model DA-T750 (T755/T550/T550L/T555) or regulated DC power supply is required. >

• Presetting

If DA-T750 (T755/T550/T550L/T555) is used, connect DC power cord of the unit to DC OUT jack of DA-T750 (T755/T550/T550L/T555). If regulated DC power supply is used, connect it to the unit as Bottom view on page 4.

4-1. Adjustment of the Auto Return

- 1) The adjusting screw in top view is one to adjust the position of Auto Return when stylus reaches lead-out groove.
- 2) Make adjustment of the screw in such a way that stylus lifts up automatically around the middle way of lead-out groove. Namely turn the adjusting screw clockwise is for leading and counterclockwise if for lagging.
- 3) After adjusting the screw properly, check its operation a few times.

4-2. Adjustment of the Clearance between PU plate and Micro Switch

After replacing the micro switch, adjust the clearance between PU plate and micro switch (See Fig. 4-1) to be approximately 0.3 mm at the tonearm on the arm rest by the clearance adjusting cam.

4-3. Adjustment of the main gear

When the main gear makes abnormal mechanical noise caused by touching to the pinion gear during playing record disc, adjust its position with cam 2 to make even clearance between the circular arc portion of the main gear and the pinion gear.

4-4. Adjustment of cartridge mounting position

Adjust the cartridge mounting position as shown in Fig. 4-2.

4-5. Speed Adjustment

• See Bottom View on page 4.

STEP	SPEED SELECTOR	ADJUST	ADJUST FOR
1.	33-1/3 r.p.m.	kVR1 (S-0121)	Strobo marking pattern appears to stand still.
2.	45 r.p.m.	kVR2 (S-0121)	Same as above

Note: Set kVR3 (S-0121) center position.

Fig. 4-1

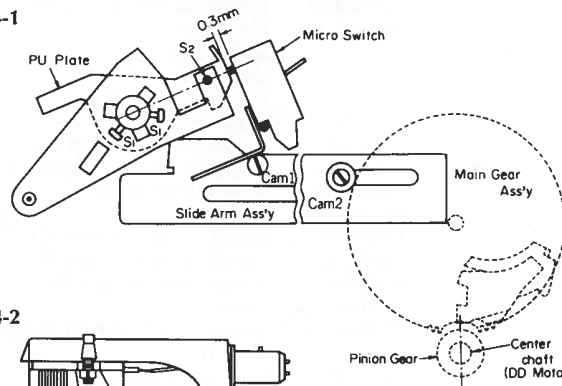
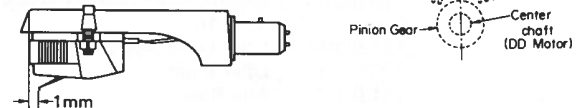


Fig. 4-2







## 6. PACKING LIST

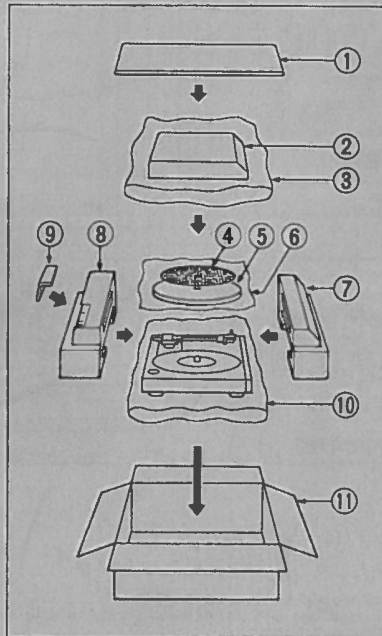
Parts No.	Stock No.	Description
1		Protector Board
2	13142400	Dust Cover Ass'y
3		Polyethylene Bag, dust cover Ass'y
4	13140800	Turntable Sheet
5	13147210	Turntable Platter
6	91166000	Polyethylene Bag, turntable Platter
7	13170400	Styrofoam Packing, front
8	13170500	Styrofoam Packing, rear
9		Accessories Cover
10	91122710	Polyethylene Bag, turntable unit
11	47697900	Carton Case (DA-P550) <Silver Model>
	47698000	Carton Case (DA-P550) <Black Model>
	47698300	Carton Case (DA-P550 M) <Silver Model>
	47698400	Carton Case (DA-P550 M) <Black Model>
	47698200	Carton Case (DA-P555)

## 7. ACCESSORY LIST

Stock No.	Description
13142600	Auto Hinge, dust cover Ass'y
13176700	Main Weight Ass'y

•Note: There are two types of unit in DA-P550.

- 1) The unit with a Dust Cover Ass'y.
- 2) The unit without a Dust Cover Ass'y.  
(“M” mark is indicated on the Carton Case.)



**Sansui**

SANSUI ELECTRIC CO., LTD.:

SANSUI ELECTRONICS CORPORATION:

SANSUI ELECTRONICS (U.K.) LTD.:  
SANSUI ELECTRONICS G.M.B.H.:

14-1, Izumi 2-chome, Suginami-ku, Tokyo 168 Japan  
PHONE: (03) 324-8891/TELEX: 232-2076 (International Division)  
1250 Valley Brook Ave. Lyndhurst, N.J. 07071 U.S.A.  
17150 South Margay Ave. Carson, California 90746 U.S.A.  
3036 Koapaka Street. Honolulu, Hawaii 96819 U.S.A.

Unit 10A, Lyon Industrial Estate, Rockware Avenue, Geesford, Middx UB6, OAA, England  
Pau Ehrich Strasse 8, 8074 Rödermark 2, West Germany

(SM1-192)

Printed in Japan (840420M) <Stock No. 36511000>